

Service Manual

Stereo Cassette Deck

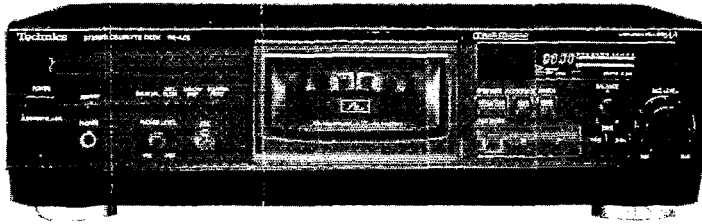
Cassette Deck

RS-AZ6

*
 DOLBY B·C NR HX PRO

Colour

(K)...Black Type



Please file and use this manual together with the service manual for Model No. RS-AZ7, Order No. AD9601017C2.

Note: • This service manual is provided to indicate the main differences between the original model No. RS-AZ7 (E) and the subsequent model No. RS-AZ6 (E, EB, EG).

Area

Suffix for Model No.	Area	Colour
(E)	Europe.	(K)
(EB)	Great Britain.	
(EG)	Germany and Italy.	

* Dolby noise reduction and HX Pro headroom extension manufactured under license from Dolby Laboratories Licensing Corporation. HX Pro originated by Bang and Olufsen. "Dolby", the double-D symbol and "HX PRO" are trademarks of Dolby Laboratories Licensing Corporation.

CHANGES

■ SPECIFICATIONS

RS-AZ7 (E)

RS-AZ6 (E, EB, EG)

■ General	
Power consumption	26W
Weight	4.2kg



■ General	
Power consumption	25W
Weight	3.9kg

■ CHANGE IN REPLACEMENT PARTS LIST (RS-AZ7 Service Manual of pages 56~60.)

- Notes:** • Mentioned in this parts list is only those different from Model No. RS-AZ7 (E). All other parts are the same as for RS-AZ7 (E).
- Important safety notice:
Components identified by \triangle mark have special characteristics important for safety. Furthermore, special parts which have purposes of fire-retardant (resistors), high-quality sound (capacitors), low-noise (resistors), etc. are used.
When replacing any of components, be sure to use only manufacture's specified parts shown in the parts list.
 - The parenthesized indications in the Remarks columns specify the areas. (Refer to the cover page for area.) Parts without these indications can be used for all areas.

Ref. No.	Change of Part No.		Part Name & Description	Remarks
	RS-AZ7 (E)	→ RS-AZ6 (E, EB, EG)		
INTEGRATED CIRCUIT(S)				
IC4	AN6558SFE2	—	BUFFER AMP	Deletion
TRANSISTOR(S)				
Q101-104	2SK369GRTPE2	—	TRANSISTOR	Deletion
Q105, 106	2SB709QRSTX	—	TRANSISTOR	Deletion
Q107, 108	2SD601QRSTX	—	TRANSISTOR	Deletion
Q109	DTC144EKT147	—	TRANSISTOR	Deletion

Technics®

© 1996 Matsushita Electric Industrial Co., Ltd.
 All rights reserved. Unauthorized copying and distribution is a violation of law.

⚠ WARNING

This service information is designed for experienced repair technicians only and is not designed for use by the general public. It does not contain warnings or cautions to advise non-technical individuals of potential dangers in attempting to service a product. Products powered by electricity should be serviced or repaired only by experienced professional technicians. Any attempt to service or repair the product or products dealt with in this service information by anyone else could result in serious injury or death.

Ref. No.	Change of Part No.		Part Name & Description	Remarks
	RS-AZ7 (E)	➔ RS-AZ6 (E, EB, EG)		
Q110	DTA114EKT147	—	TRANSISTOR	Deletion
Q201	2SD2037EFTA	—	TRANSISTOR	Deletion
Q251	2SK330GRYTA	—	TRANSISTOR	Deletion
Q703-705	DTA114ESTP	—	TRANSISTOR	Deletion
DIODE(S)				
D201	MA700	—	DIODE	Deletion
D202	MTZJ8R2CTA	—	DIODE	⚠ Deletion
D250, 251	MA110TX	—	DIODE	Deletion
D252	MA8043MTX	MA8062MTX	DIODE	
IC PROTECTOR(S)				
ICP201	SRUN10	—	IC PROTECTOR	⚠ Deletion
LAMP(S)				
PL701	XAMR136S	—	LAMP	Deletion
SWITCH(ES)				
S710	EVQ21405R	—	PLAY DIRECT	Deletion
S718	RSS3A18YA-H	—	PLAY TIMER REC	Deletion
CONNECTOR(S) AND SOCKET(S)				
CN102	REX0784	—	CONNECTOR ASS'Y (2P)	Deletion
CP102	RJP2G17ZA	—	CONNECTOR (2P)	Deletion
JACK(S)				
JK1	SJF3069A	SJF3069N	TERMINAL BOARD: REC/PLAY	
RESISTOR(S)				
R101, 102	ERJ6GEYJ272V	—	1/10w 2.7kΩ	Deletion
R103, 104	ERJ6GEYJ102V	—	1/10w 1kΩ	Deletion
R105, 106	ERJ6GEYJ472V	—	1/10w 4.7kΩ	Deletion
R107, 108	ERJ6GEYJ272V	—	1/10w 2.7kΩ	Deletion
R127, 128	ERJ6GEYJ102V	—	1/10w 1kΩ	Deletion
R129, 130	ERJ6GEYJ223V	—	1/10w 22kΩ	Deletion
R131	ERJ6GEYJ102V	—	1/10w 1kΩ	Deletion
R132-138	ERJ6GEYJ103V	—	1/10w 10kΩ	Deletion
R139	ERJ6GEYJ681V	—	1/10w 680Ω	Deletion
R202	ERDS2TJ102	—	1/4w 1kΩ	Deletion
R203	ERDS2TJ101	—	1/4w 100Ω	Deletion
R250	ERJ6GEYJ102V	—	1/10w 1kΩ	Deletion
R251	ERJ6GEYJ563V	—	1/10w 56kΩ	Deletion
R252	ERJ6GEYJ105	—	1/10w 1MΩ	Deletion
R253	ERJ6GEYJ102V	ERJ6GEYJ331V	1/10w 330Ω	
R471, 472	ERDAS3G102T	—	1/4w 1kΩ	Deletion
R473, 474	ERDAS3G152T	—	1/4w 1.5kΩ	Deletion
R481, 482	ERDAS3G103T	—	1/4w 10kΩ	Deletion
R507	—	ERDS2TJ223	1/4w 22kΩ	Addition
R523, 524	—	ERDS2TJ103	1/4w 10kΩ	Addition

Ref. No.	Change of Part No.		Part Name & Description	Remarks
	RS-AZ7 (E)	RS-AZ6 (E, EB, EG)		
R719	ERDS2TJ682T	—	1/4w 6.8kΩ	Deletion
R725	ERDS2TJ222	—	1/4w 2.2kΩ	Deletion
R726	ERDS2TJ332	—	1/4w 3.3kΩ	Deletion
R727	ERDS2TJ472	—	1/4w 4.7kΩ	Deletion
R728	ERDS2TJ331	—	1/4w 330Ω	Deletion
R729, 730	ERDS2TJ181T	—	1/4w 180Ω	Deletion
CHIP JUMPER(S)				
RJ 14	ERJ6GEY0R00V	—	CHIP JUMPER	Deletion
RJ 17	ERJ6GEY0R00V	—	CHIP JUMPER	Deletion
RJ 20-22	ERJ6GEY0R00V	—	CHIP JUMPER	Deletion
RJ 27, 28	ERJ6GEY0R00V	—	CHIP JUMPER	Deletion
RJ 30, 31	ERJ6GEY0R00V	—	CHIP JUMPER	Deletion
RJ 33-37	ERJ6GEY0R00V	—	CHIP JUMPER	Deletion
RJ 39	ERJ6GEY0R00V	—	CHIP JUMPER	Deletion
CAPACITOR(S)				
C101, 102	ECUV1E183KBN	—	25V 0.018μF	Deletion
C117	RCE0JKS101IV	—	6.3V 100μF	Deletion
C201	ECBT1E103ZF	—	25V 0.01μF	Deletion
C256	—	ECUV1H103ZFN	50V 0.01μF	Addition
C473, 474	ECBT1H471KB5	—	50V 470PF	Deletion
C475, 476	ECA1CPXS100B	—	16V 10μF	Deletion
C601	ECA1EM472E	ECEA1EU222	25V 2200μF	
CABINET AND CASSIS				
3	RYF0371-K	RYF0399-K	CASSETTE LID ASS'Y	
5	RGR0230A-B	RGR0230A-D	REAR PANEL	(E, EG)
		RGR0230A-E	REAR PANEL	(EB)
13	RFKGS AZ7EK	RFKGS AZ6EK	FRONT PANEL ASS'Y	
15	RGL0307-Q	—	PANEL LIGHT, HALF	Deletion
16	RGL0308-Q	—	PANEL LIGHT, PLAY	Deletion
17	RGL0309-Q	—	PANEL LIGHT, DIRECT	Deletion
20	RGU1317-K	RGU1317A-K	BUTTON, OPERATION	
22	RGV0112-K	—	KNOB, TIMER	Deletion
25	RHD26017	XTBS26+8J	SCREW	
26	RHD26018	RHD26016	SCREW	
28	RKQ0190-K	—	CASSETTE HOLDER	Deletion
32	RMG0410-K	—	SPACER (A)	Deletion
33	RMG0411-K	—	SPACER (B)	Deletion
34	XTB3+12GFY	XTB3+12JFZ	SCREW	
35	XTW2+6S	—	SCREW	Deletion
41	—	RHD20034	SCREW	Addition
MECHANISM PARTS				
102	RKF0334-K	RYF0263-K	CASSETTE HOLDER ASS'Y	
102-1	—	RUS757ZA	SPRING, TAPE PRESSURE	Addition
115	RGQ0121-K	—	LIFTER	Deletion
123	RDG0212A	—	LIFT ARM	Deletion
132	RMQ0401	—	STABILIZER	Deletion
133	RML0275A	—	LIFT GEAR	Deletion
144	RMB0324	—	SPRING, STABILIZER	Deletion

Ref. No.	Change of Part No.		Part Name & Description	Remarks
	RS-AZ7 (E)	➡ RS-AZ6 (E, EB, EG)		
PACKING MATERIAL				
P1	RPG2956	RPG2958	PACKING CASE	(E, EG)
		RPG2959	PACKING CASE	(EB)
P2	RPN0956	RPN0979	CUSHION	(EB)
P6	—	RPH0032	MIRROR SHEET	(EB) Addition
ACCESSORIES				
A1	RFKSSAZ7EK	RQT3434-B	INSTRUCTION MANUAL	(EB)
		RQT3433-D	INSTRUCTION MANUAL	(EG)
A4	RJA0019-2K	RJA0049-K	AC POWER SUPPLY CORD	(EB) ⚠

SCHEMATIC DIAGRAM

(This schematic diagram may be modified at any time with the development of new technology.)



Notes:

- S701: Stop switch (■).
- S702: Playback/Record switch (▶).
- S704: Fast-forward search switch (▶▶ TPS).
- S705: Rewind search switch (◀◀ TPS).
- S706: Recording/Pause switch (REC PAUSE).
- S707: Automatic-record-muting switch (● AUTO REC MUTE).
- S708: Cassette holder open/close switch (▲ OPEN/CLOSE).
- S709: Monitor switch (MONITOR).
- S711: Power "STANBY ⏻/ON" (POWER STANBY ⏻ ON) switch.
- S712: Counter reset switch (COUNTER RESET).
- S713: Memory stop switch (MEMORY STOP).
- S714: Multiplex filter switch (MPX FILTER).
- S715: Dolby noise-reduction switch (DOLBY NR).
- S716: Auto tape calibration switch (ATC).
- S851: Cassette holder open detection switch in "off" position.
- S852: Cassette holder close detection switch in "off" position.
- S971: Mode switch in "off" position.
- S972: Half switch in "off" position.
- S973: ATS (CrO₂) switch in "off" position.
- S975: Forward rec. inhibit switch in "off" position.
- S976: ATS (Metal) switch in "off" position.
- Resistance are in ohms (Ω), 1/4 watt unless specified otherwise.
1K=1,000 (Ω), 1M=1,000k (Ω)
- Capacity are in micro-farads (μF) unless specified otherwise.
- All voltage values shown in circuitry are under no signal condition and playback mode with volume control at minimum position otherwise specified.
().....Voltage values at record mode.

For measurement us EVM.

● Important safety notice:

Components identified by ⚠ mark have special characteristics important for safety.
When replacing any of components, be sure to use only manufacturer's specified parts.

- (——— (+B) ———) indicates +B (bias).
- (- - - (-B) - - -) indicates -B (bias).
- () indicates the playback signal.
- () indicates the recording signal.

● The supply part number is described alone in the replacement parts list.

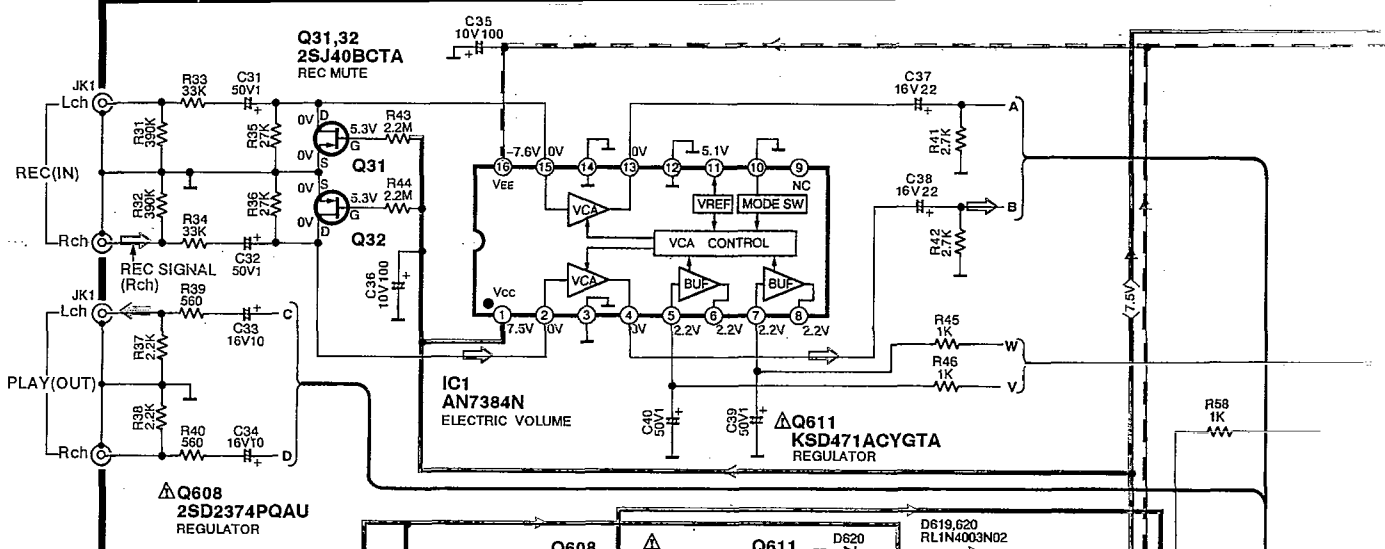
Part No.	Production Part No.	Supply Part No.
IC701	M5218AL	M5218L

Caution!

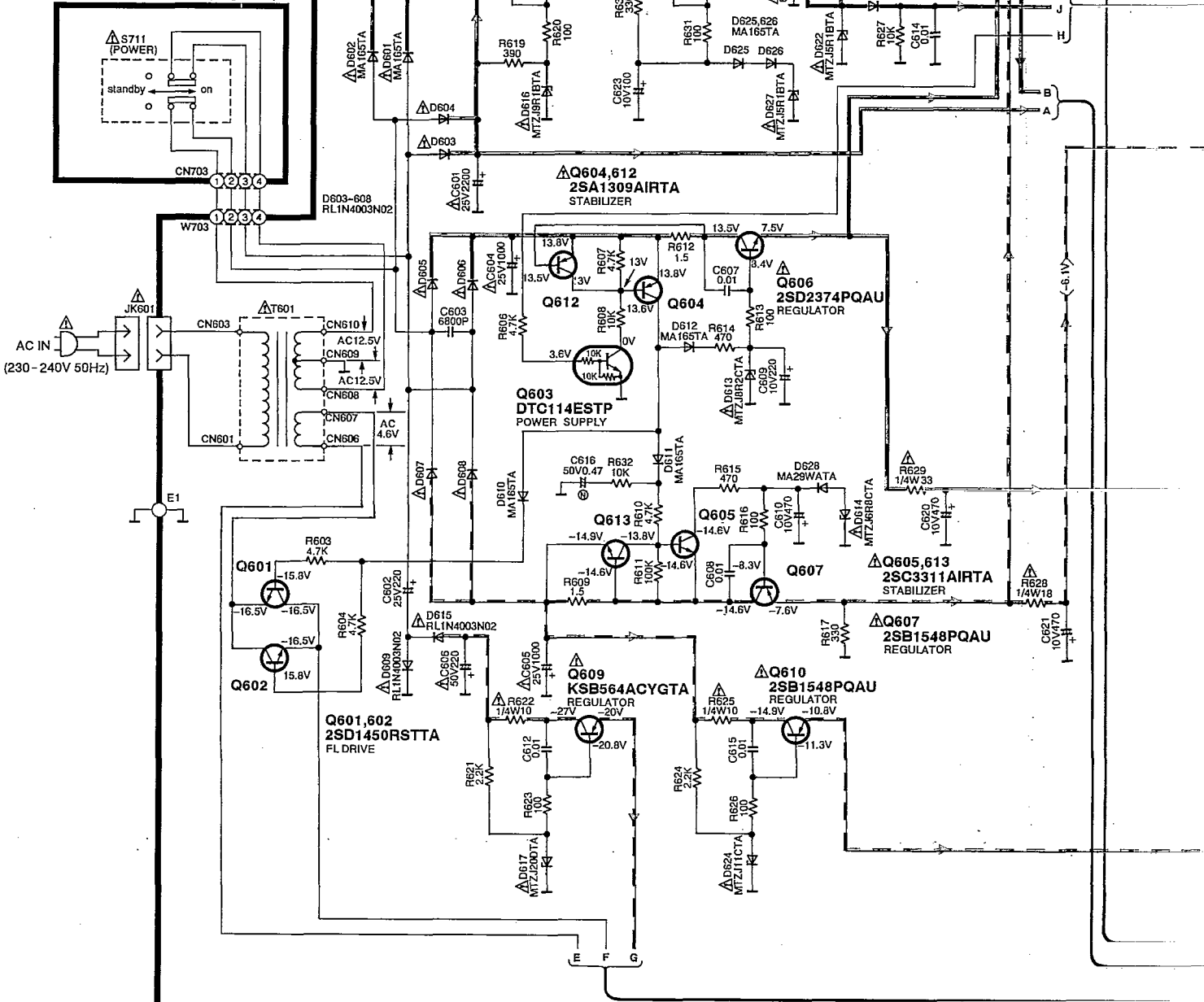
IC and LSI are sensitive to static electricity.
Secondary trouble can be prevented by taking care during repair.

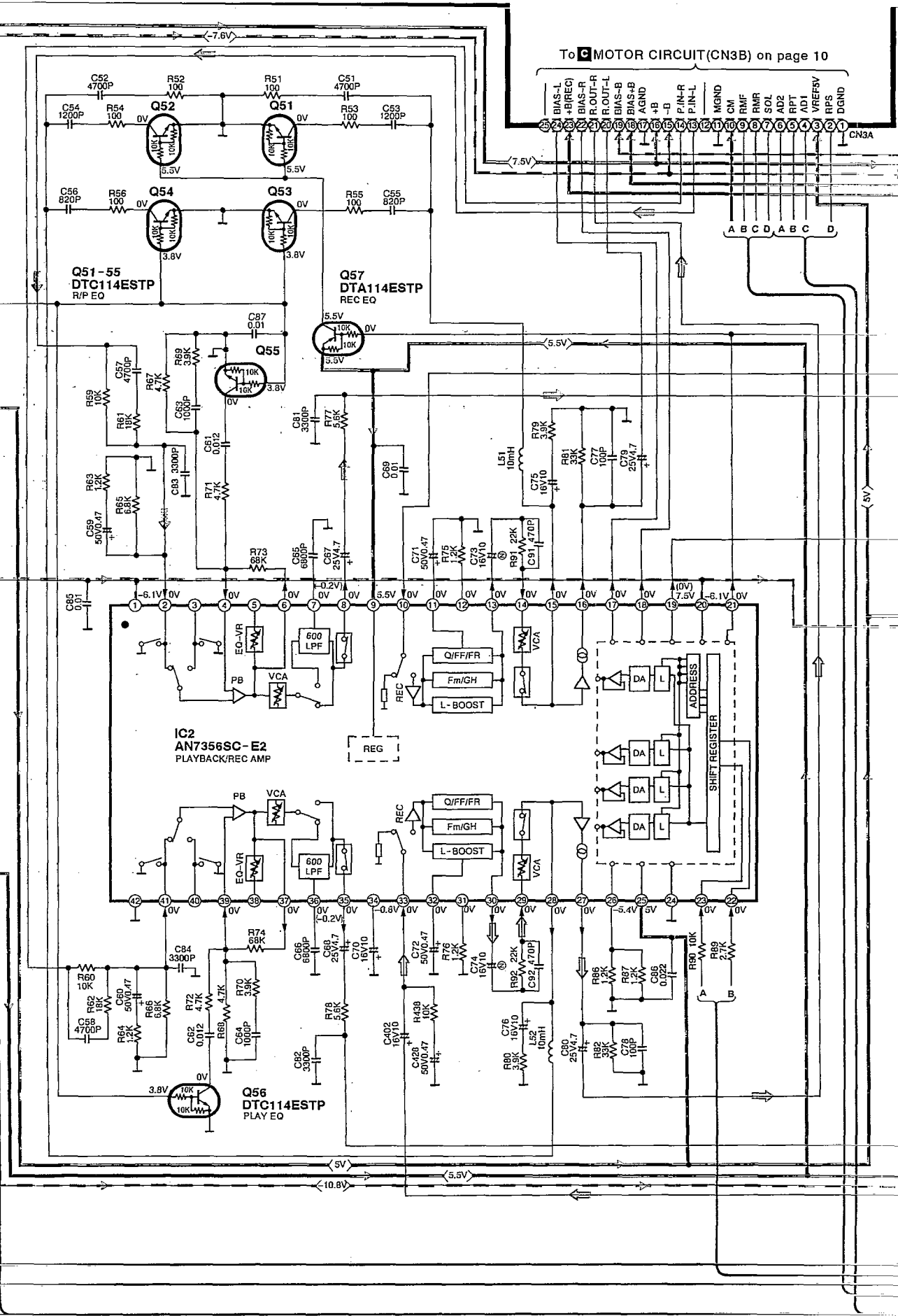
- Cover the parts boxes made of plastics with aluminum foil.
- Ground the soldering iron.
- Put a conductive mat on the work table.
- Do not touch the pins of IC or LSI with fingers directly.

A MAIN CIRCUIT (P.C.Board: on page 18)

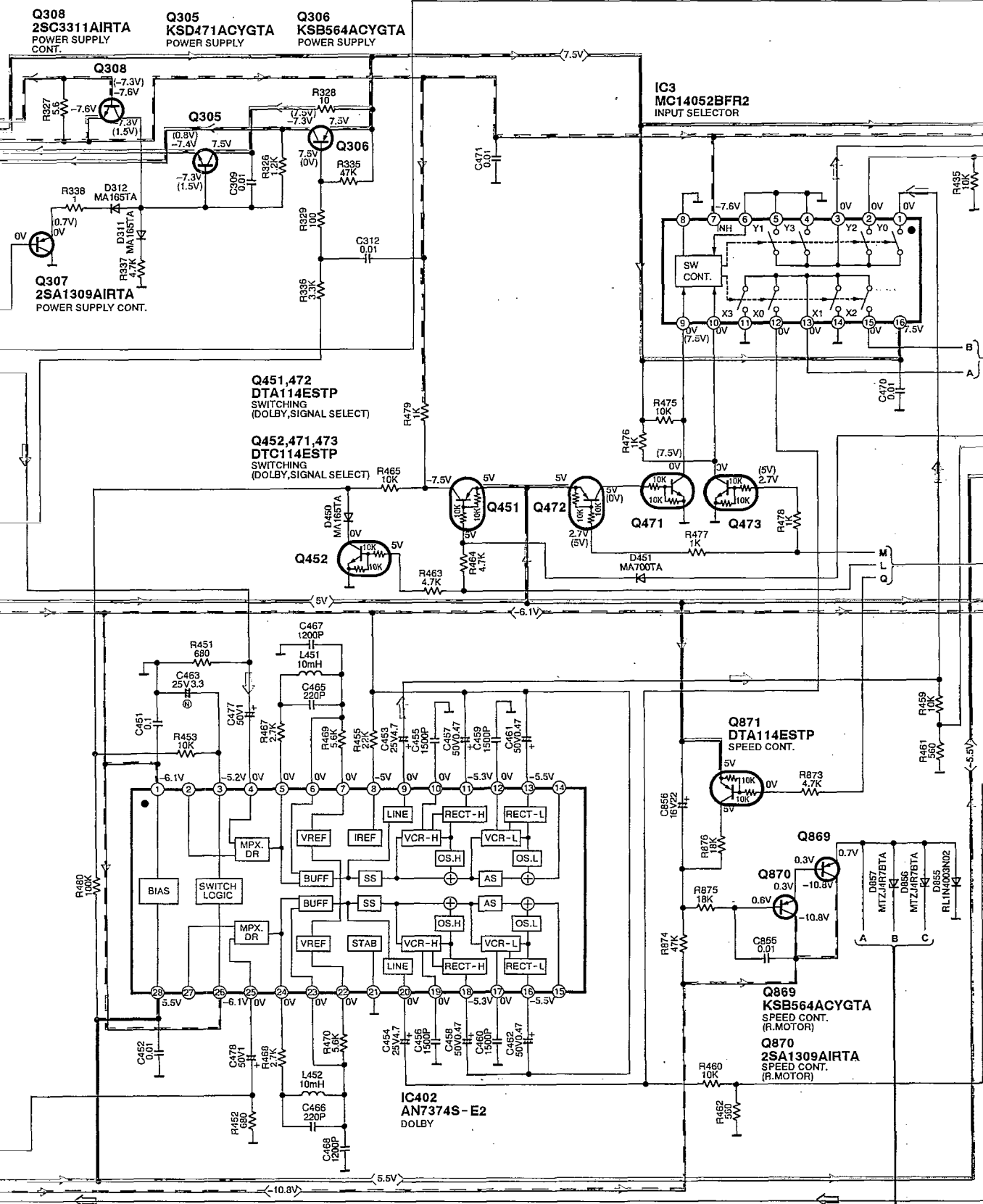


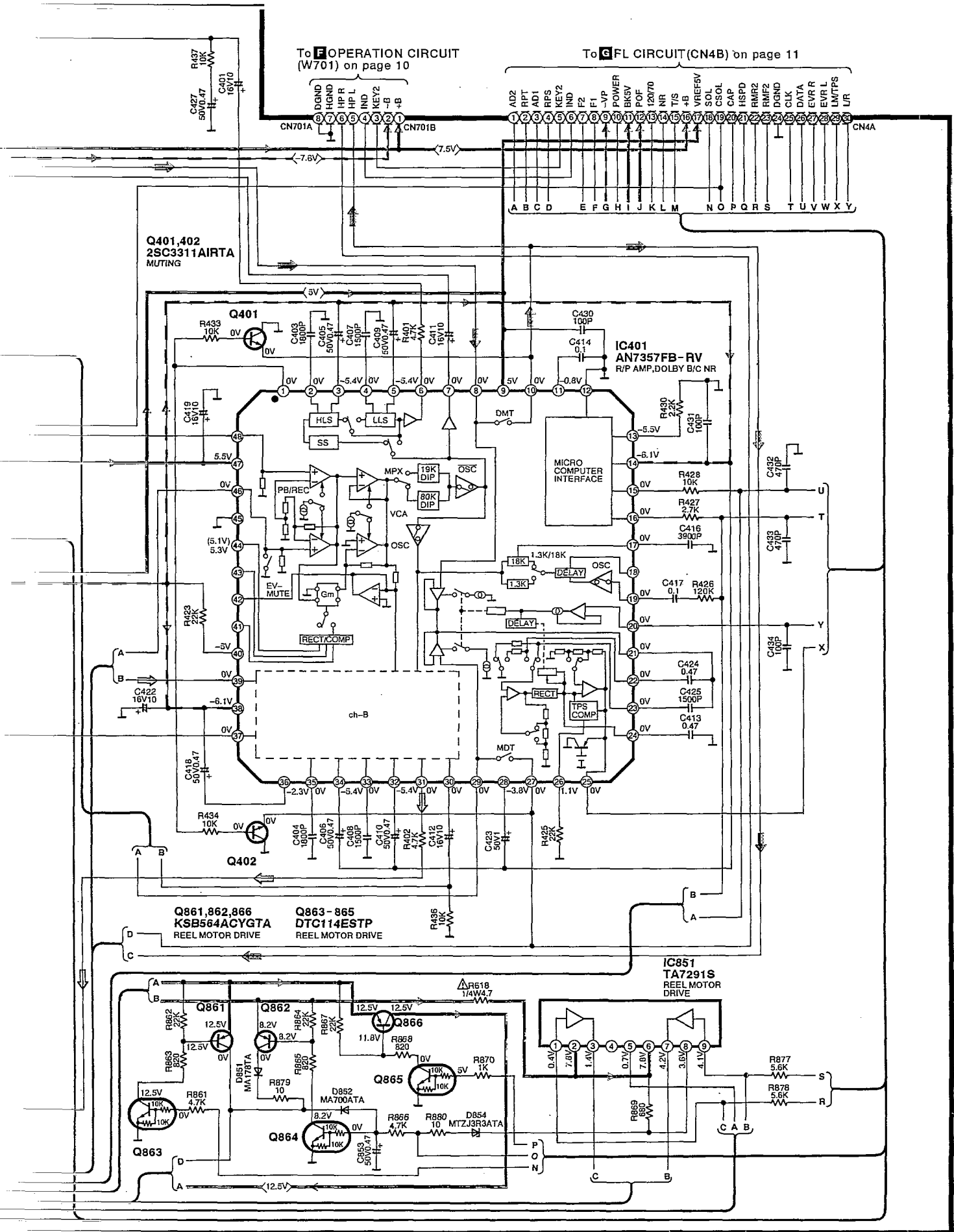
B POWER SWITCH CIRCUIT (P.C.Board: on page 17)



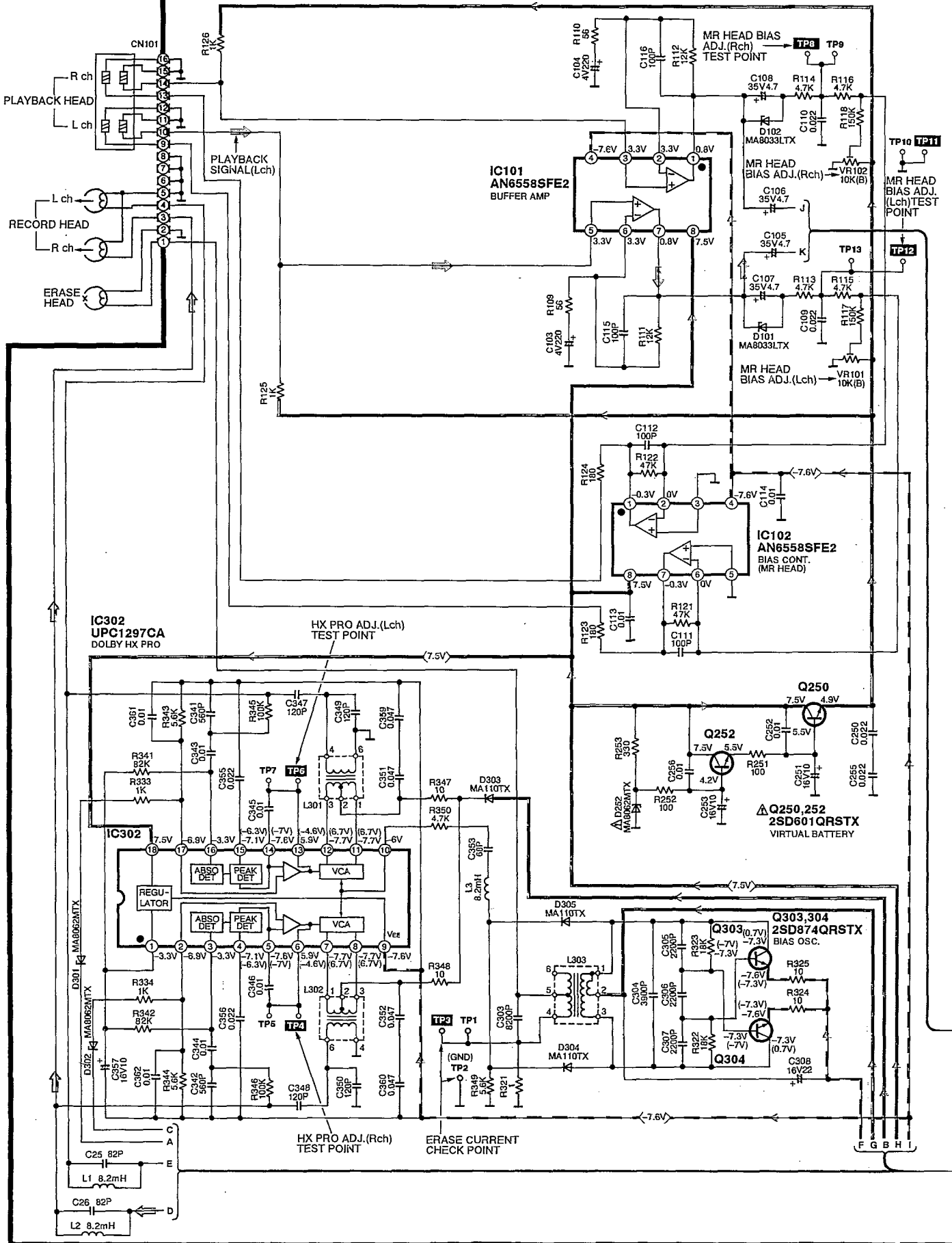


A MAIN CIRCUIT (P.C.Board: on page 18)



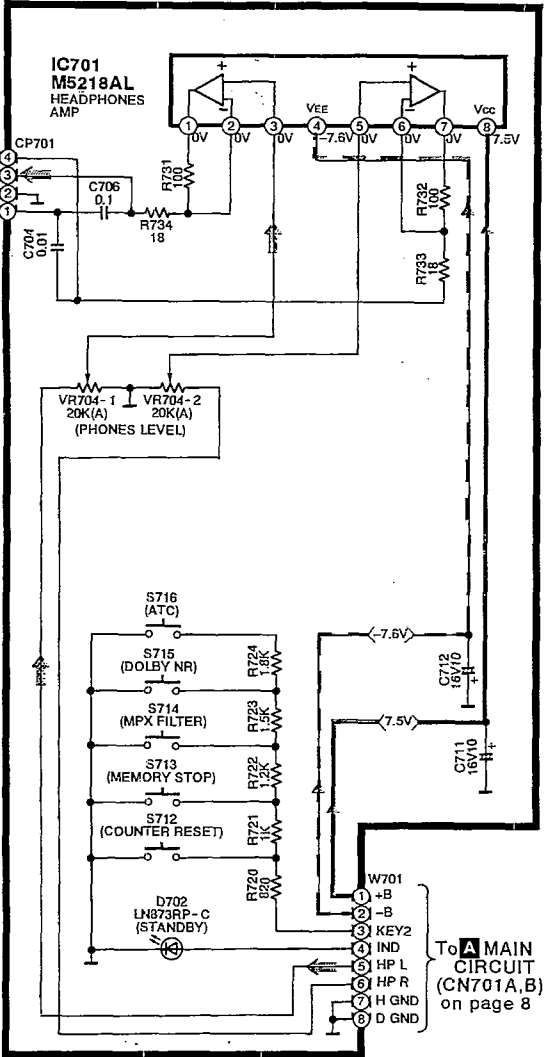
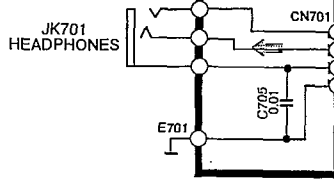


C MOTOR CIRCUIT (P.C.Board: on page 16)

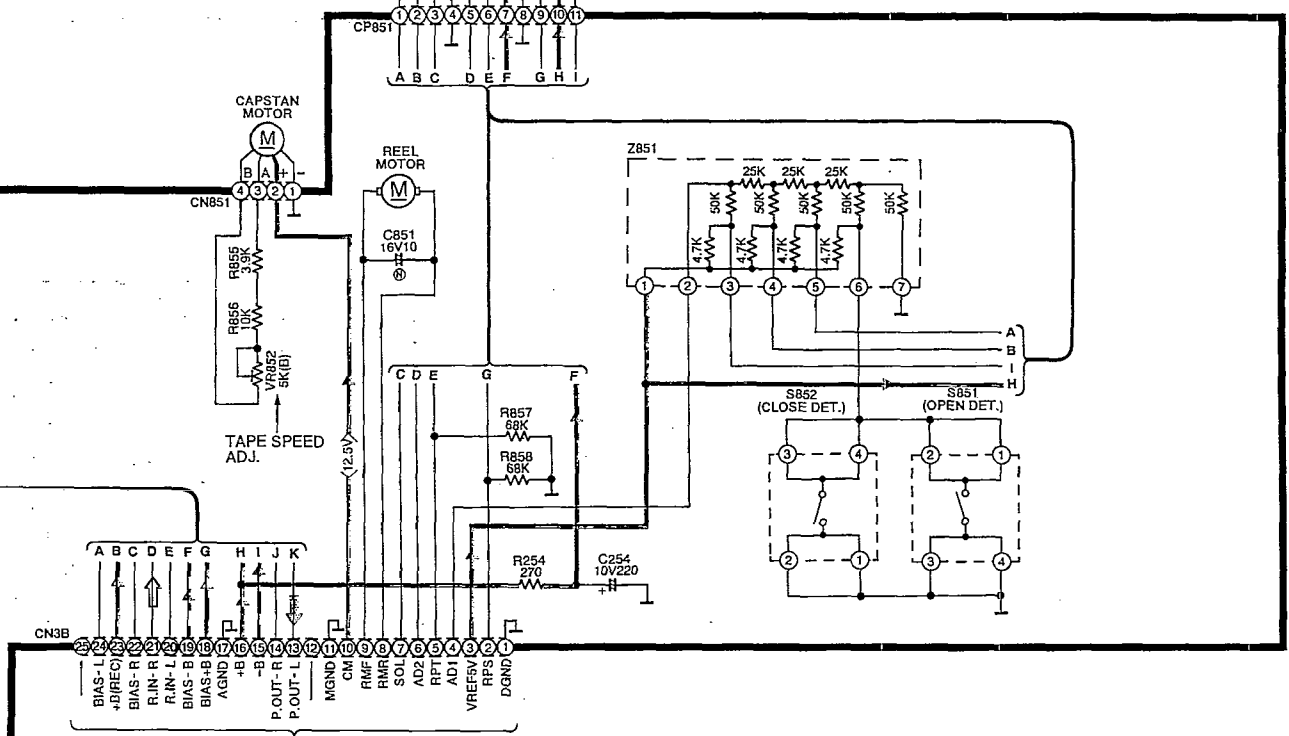
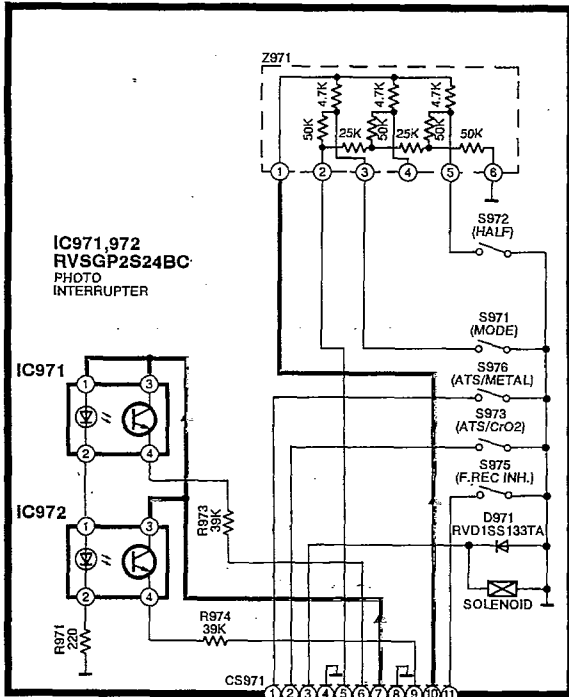


F OPERATION CIRCUIT (P.C.Board: on page 17)

E HEADPHONES JACK CIRCUIT (P.C.Board: on page 17)



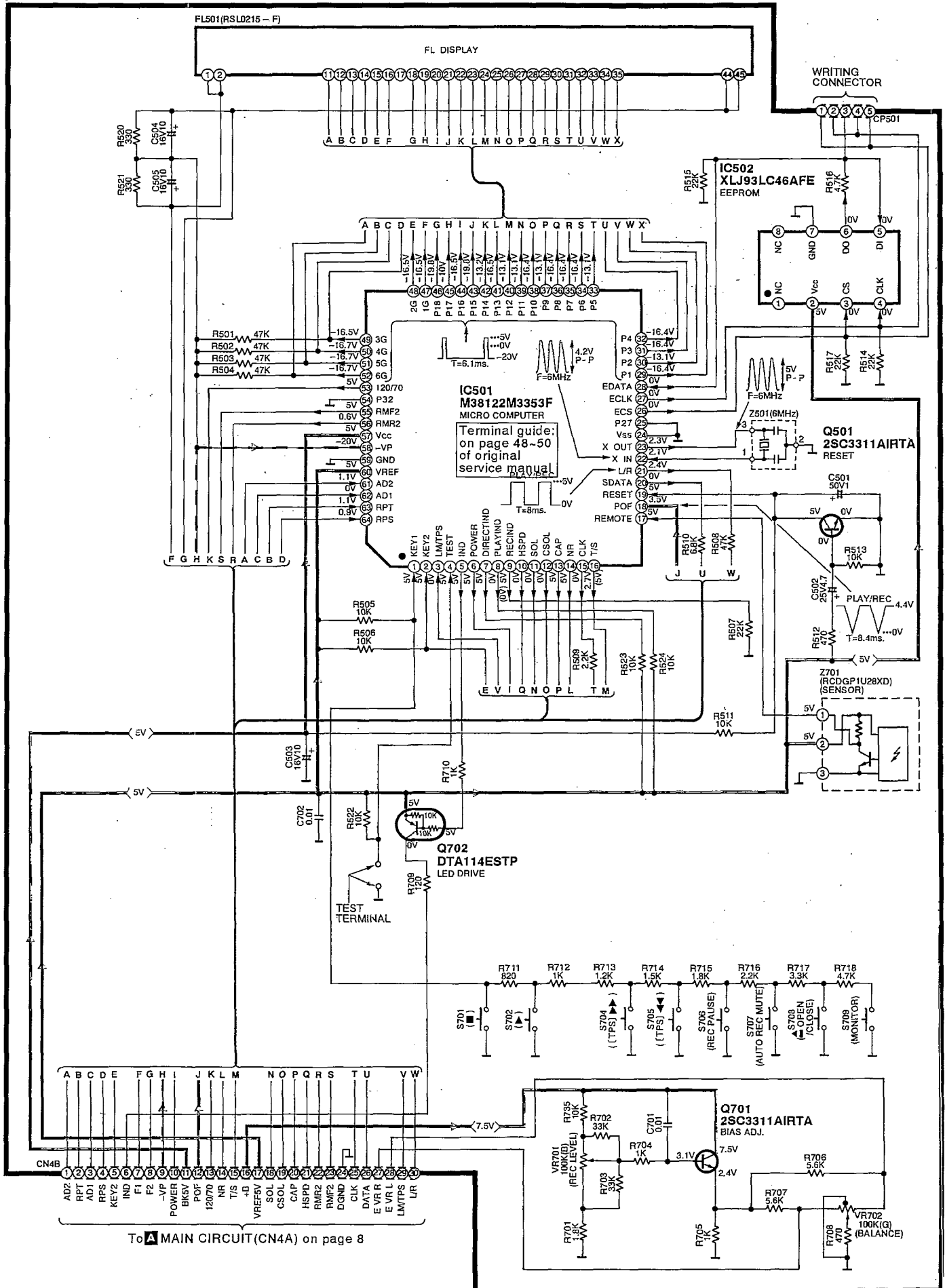
D MECHANISM CIRCUIT (P.C.Board: on page 16)



To **A** MAIN CIRCUIT (CN3A) on page 6

To **A** MAIN CIRCUIT (CN701A, B) on page 8

G FL CIRCUIT (P.C.Board: on page 17)

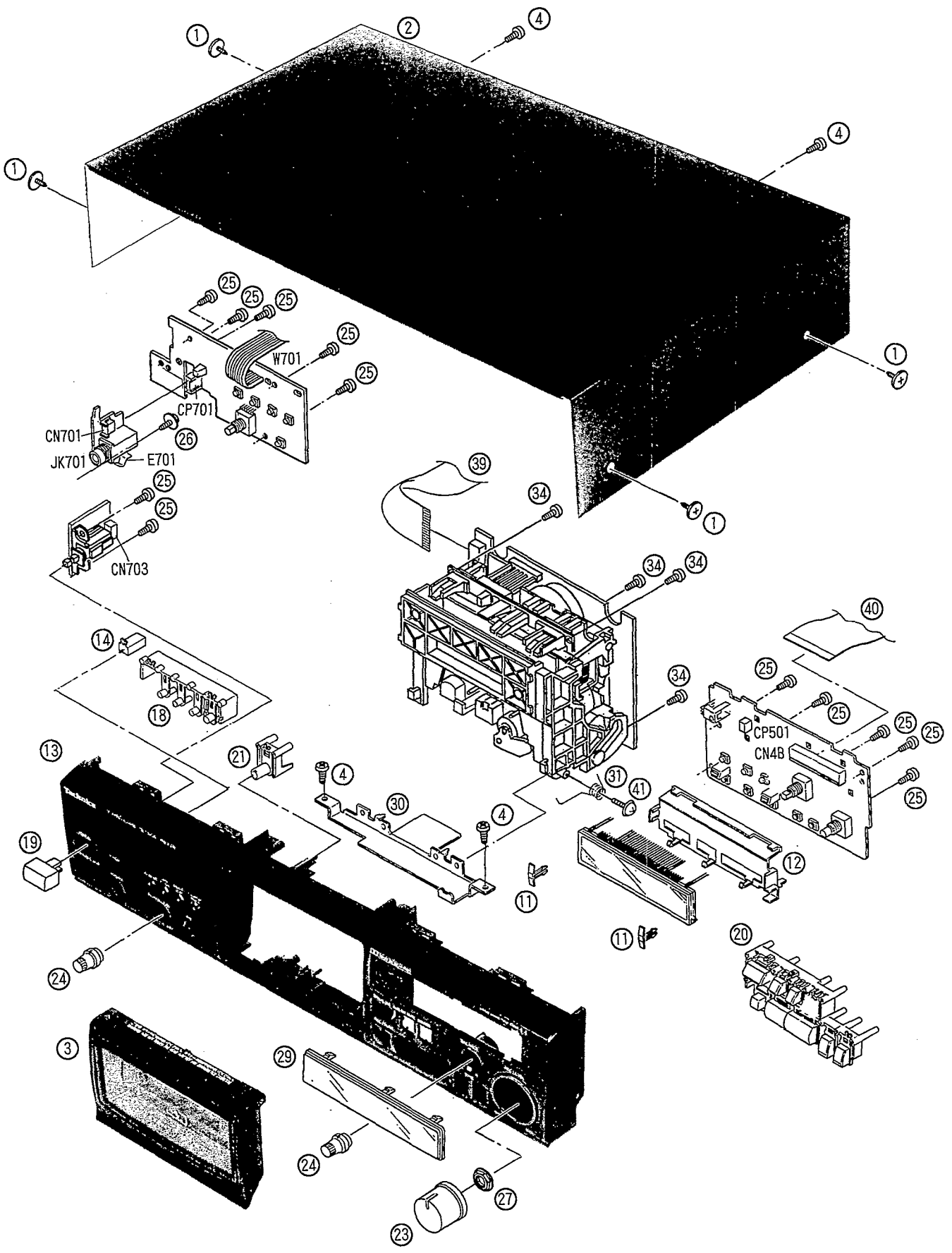


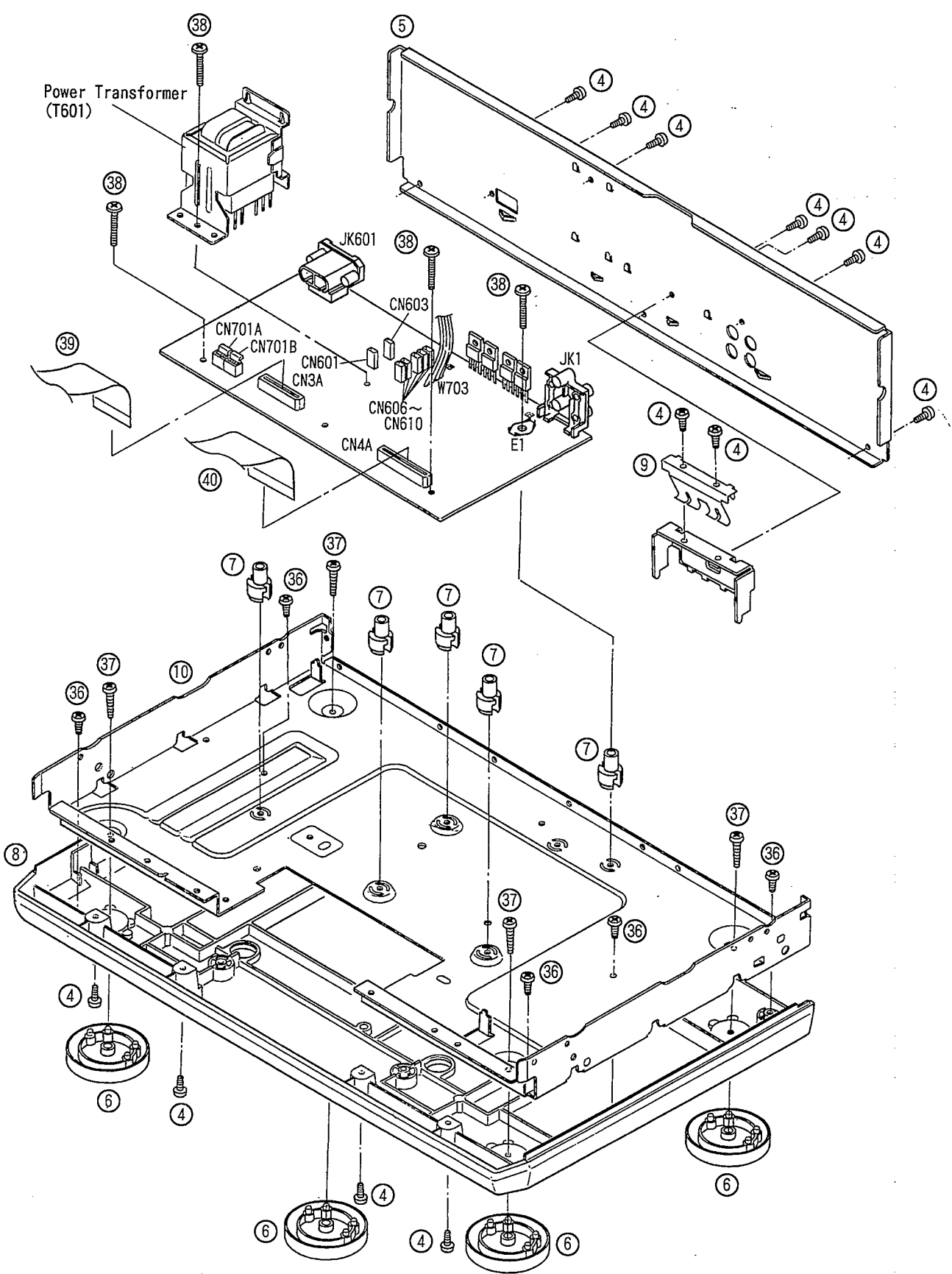
To MAIN CIRCUIT (CN4A) on page 8

1 2 3 4 5

CABINET PARTS LOCATION

A
B
C
D
E
F

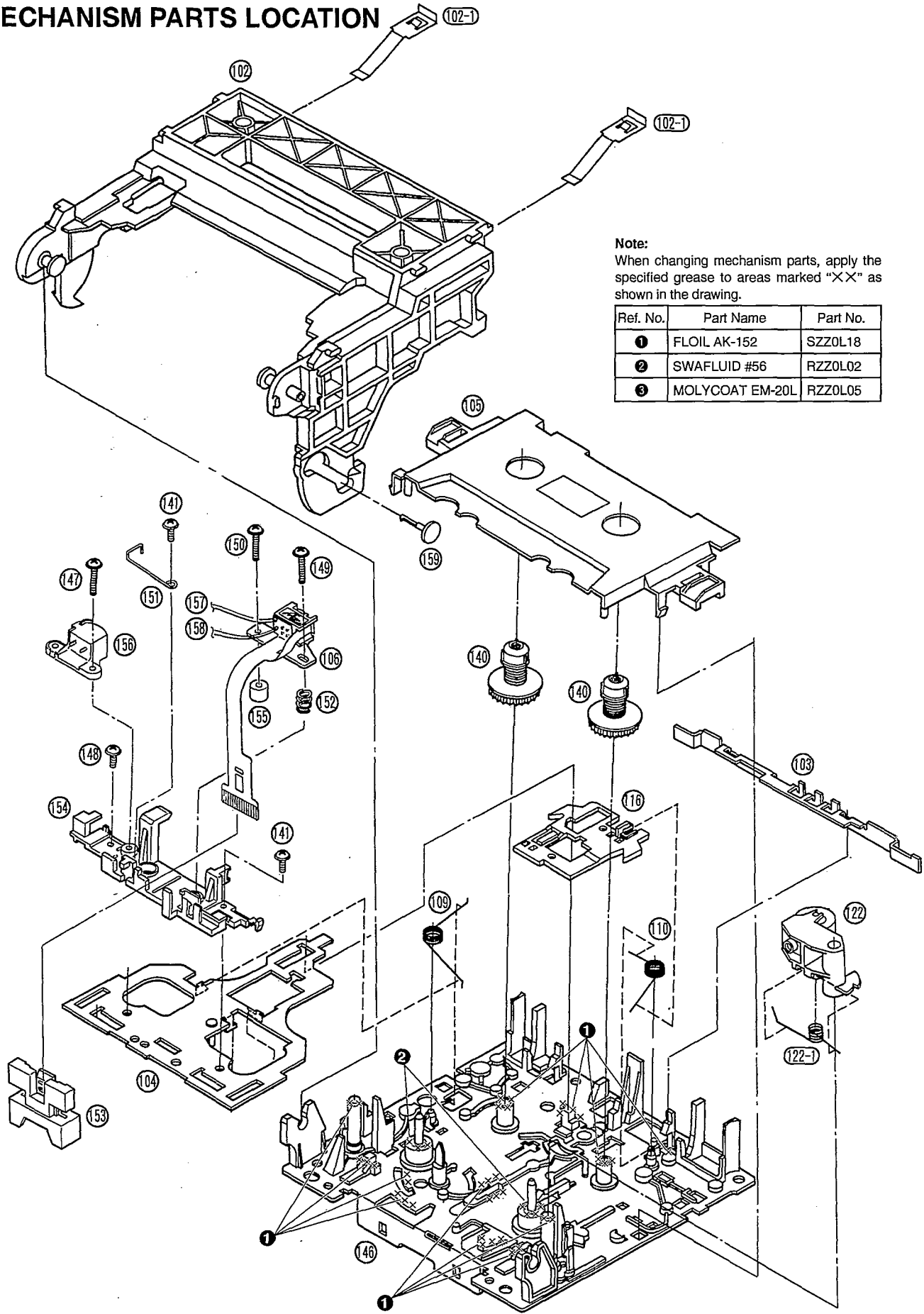




1 | 2 | 3 | 4 | 5

MECHANISM PARTS LOCATION

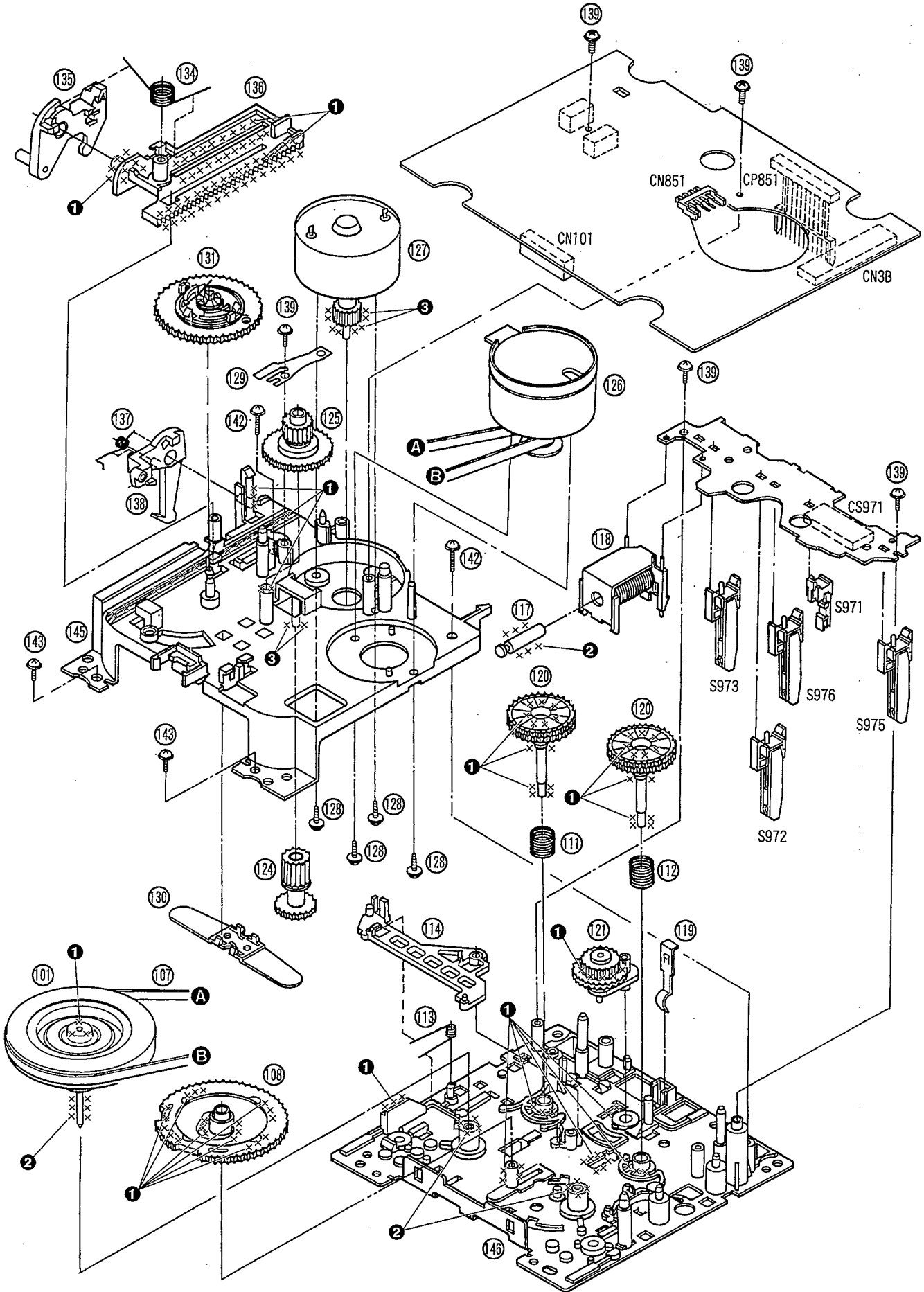
A
B
C
D
E
F



Note:
When changing mechanism parts, apply the specified grease to areas marked "X" as shown in the drawing.

Ref. No.	Part Name	Part No.
①	FLOIL AK-152	SZZ0L18
②	SWAFLUID #56	RZZ0L02
③	MOLYCOAT EM-20L	RZZ0L05

6 | 7 | 8 | 9 | 10

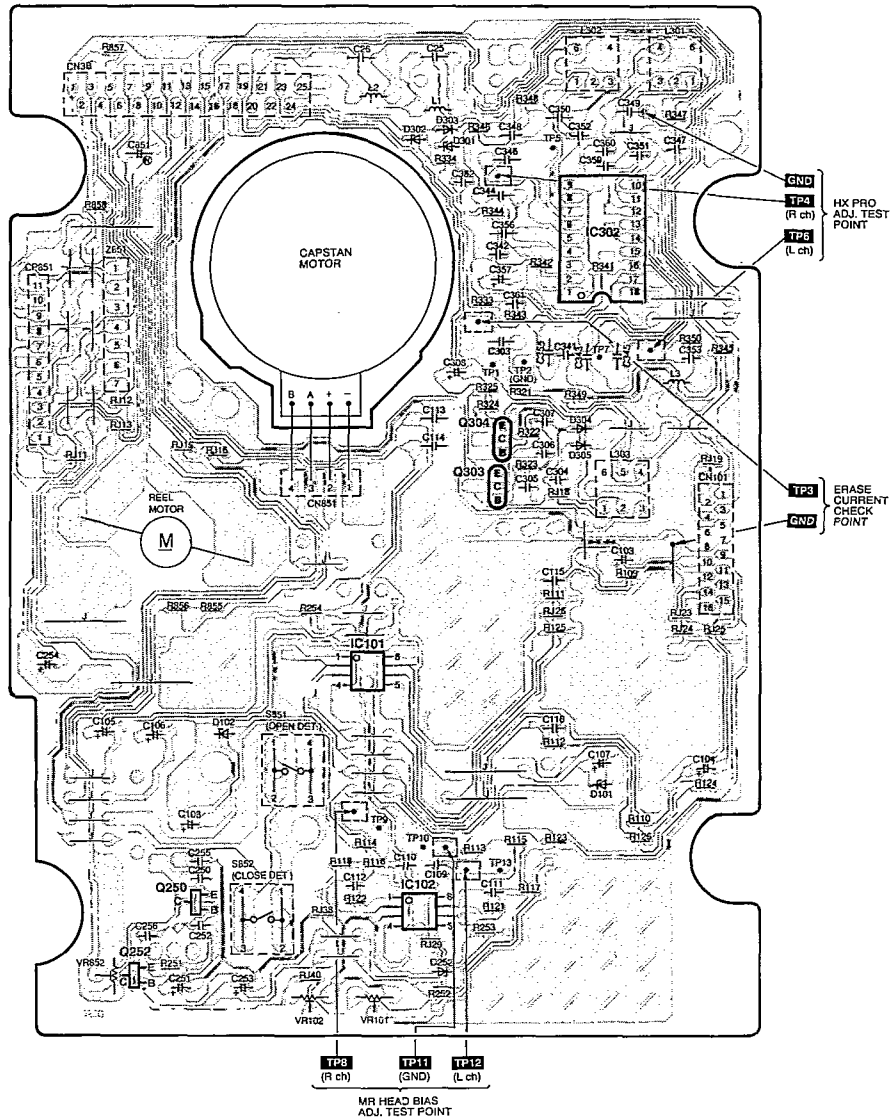


PRINTED CIRCUIT BOARDS

(This printed circuit board diagram may be modified at any time with the development of new technology.)

A

C MOTOR P.C.B.
(REP2286C-T)



B

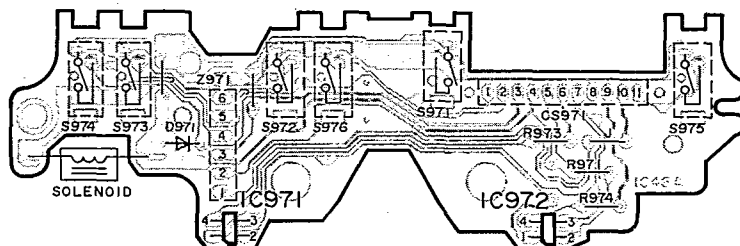
C

D

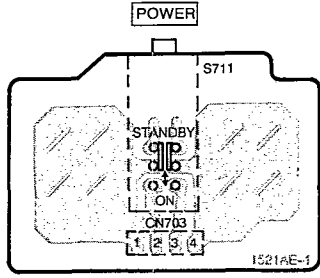
E

F

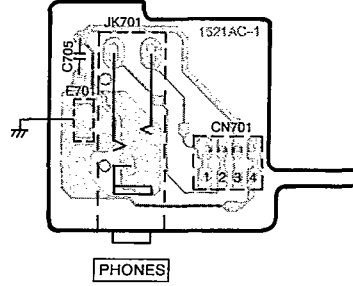
D MECHANISM P.C.B.
(REP1656A)



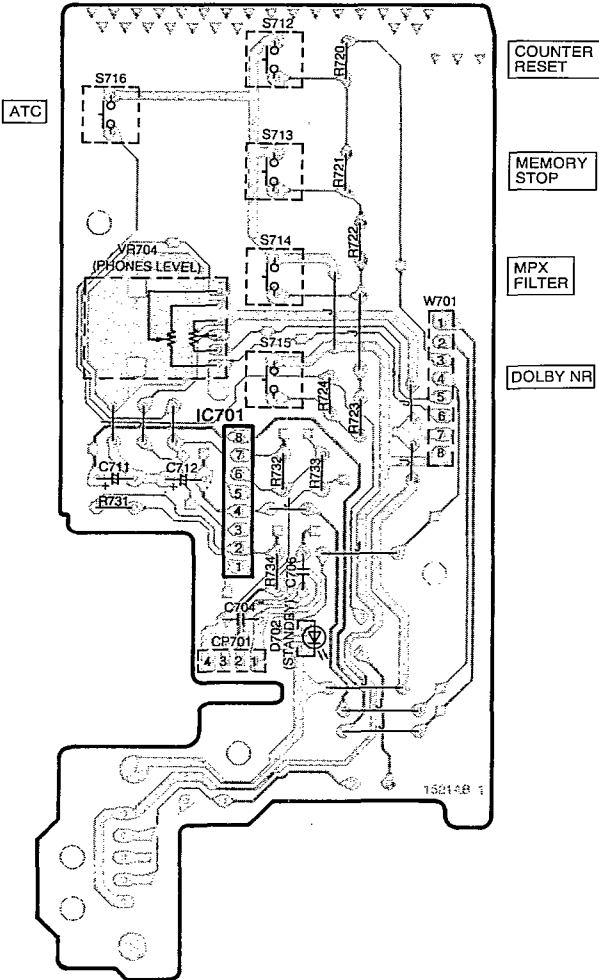
B POWER SWITCH P.C.B.
(REP2285C-S)



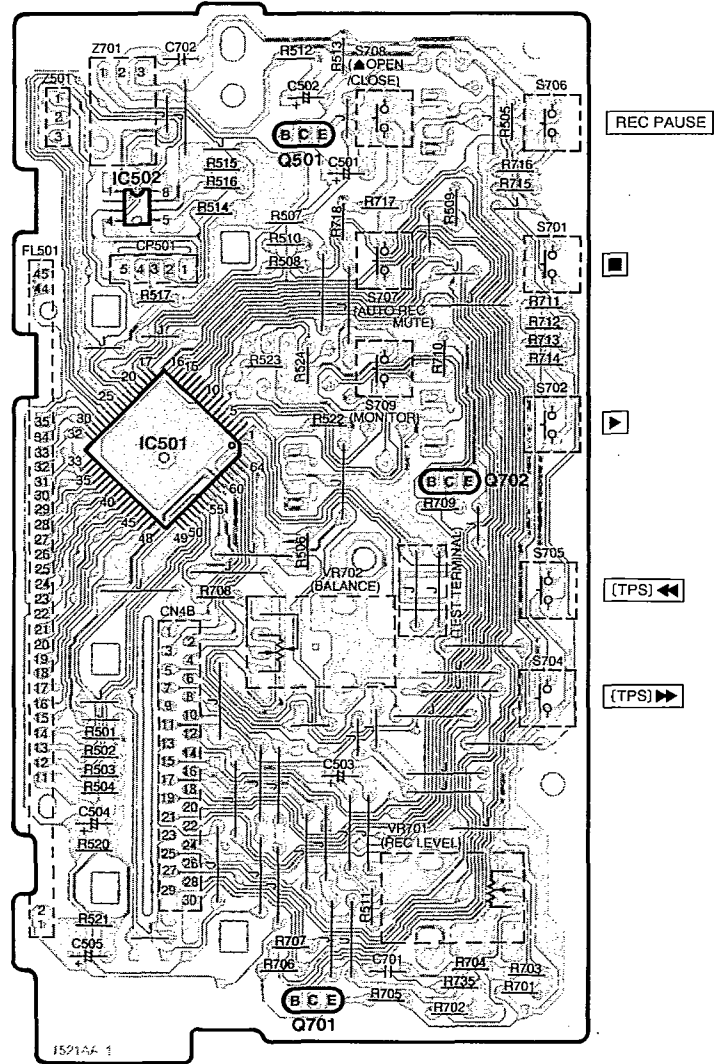
E HEADPHONES JACK P.C.B.
(REP2285C-S)



F OPERATION P.C.B.
(REP2285C-S)



G FL P.C.B.
(REP2285C-S)



A

A MAIN P.C.B.
(REP2284C-M)

B

C

D

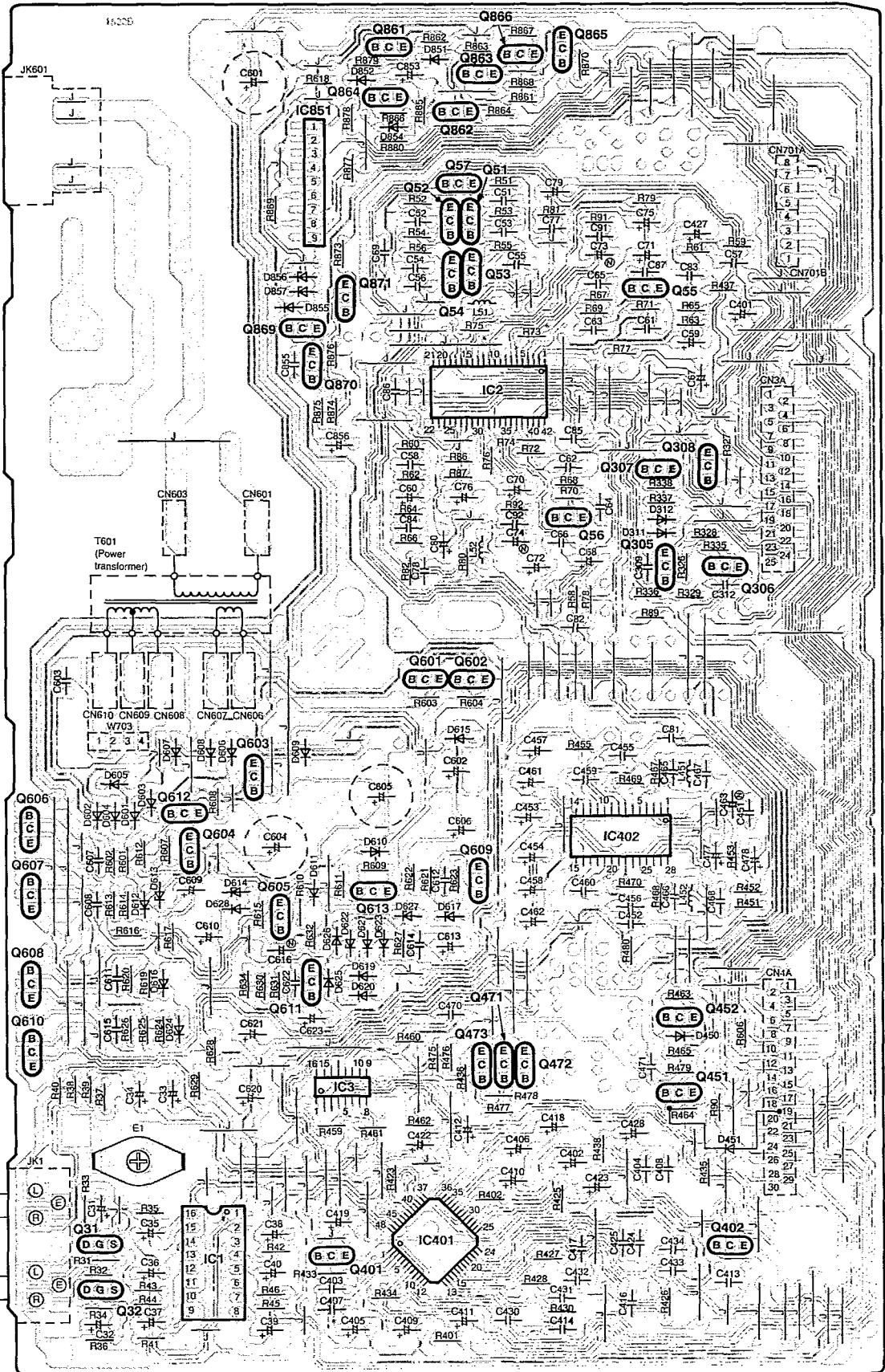
E

F

AC IN
(230-240V 50Hz)

PLAY
(OUT)

REC
(IN)





1136